

Cube Compressed Air Filter

F35 / F75 / F105

Description	Modular cube pressure regulator of modern design. Threads of ports in body or in adapter plates. Integrated wall mounting system, no brackets necessary. Many different bowl types available.	
Filter element	20 µm or 40 µm, optionally 5 µm or 20 µm,	made of polypropylene
Bowl	plastic version with or without bowl guard,	metal version with or without all-around sight glass
Drainage	manual drain as standard,	for max. 21 bar
	optionally automatic or semiautomatic drain,	for max. 12 bar
Operating pressure	max. 11 bar for plastic bowl	max. 17 bar for metal bowl with sight glass
	max. 21 bar for metal bowl without sight glass	
Temperature range	0 °C to 50 °C / 32 °F to 122 °F for plastic bowl and automatic or semiautomatic drain version	
	0 °C to 70 °C / 32 °F to 158 °F for metal bowl with sight glass	
	0 °C to 80 °C / 32 °F to 176 °F for metal bowl without sight glass	
	for appropriately conditioned compressed air down to -30 °C / -22 °F	
Material	Body: zinc die-cast at F35 and F75,	aluminium at F105
	Bowl: polyurethane or zinc die-cast	Elastomer: NBR/Buna-N



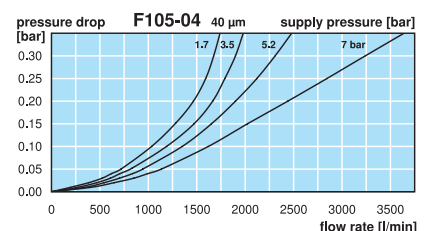
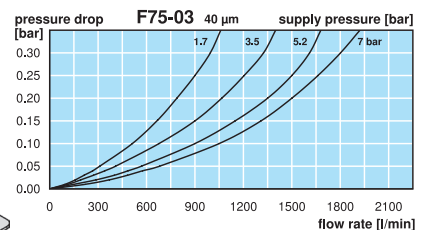
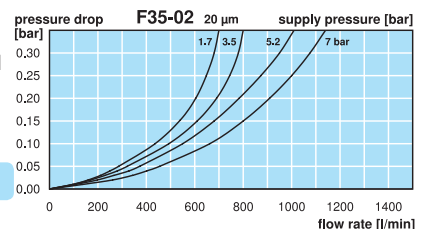
Dimensions			Bowl	Flow	Supply	Filter	Connection	Order
A	B	C	Design	Capacity	rate	element	thread	number
mm	mm	mm	made of / with	l	m ³ /h*1	µm	G	

Cube filter		with manual drain		F35 / F75 / F105						
40	129	108	plastic	0.05	54	900	11	20	G 1/8	F 35-01AH
			metal				21			F 35-01DH
			metal/sight glass				17			F 35-01WH
40	129	108	plastic	0.05	66	1100	11	20	G 1/4	F 35-02AH
			metal				21			F 35-02DH
			metal/sight glass				17			F 35-02WH
56	160	135	plastic	0.11	114	1900	11	40	G 3/8	F 75-03AJ
			plastic/bowl guard				11			F 75-03BJ
			metal				21			F 75-03DJ
			metal/sight glass				17			F 75-03WJ
56	160	135	plastic	0.11	120	2000	11	40	G 1/2	F 75-04AJ
			plastic/bowl guard				11			F 75-04BJ
			metal				21			F 75-04DJ
			metal/sight glass				17			F 75-04WJ
68	203	169	plastic	0.25	234	3900	11	40	G 1/2	F105-04AJ
			plastic/bowl guard				11			F105-04BJ
			metal				21			F105-04DJ
			metal/sight glass				17			F105-04WJ
68	203	169	plastic	0.25	258	4300	11	40	G 3/4	F105-06AJ
			plastic/bowl guard				11			F105-06BJ
			metal				21			F105-06DJ
			metal/sight glass				17			F105-06WJ



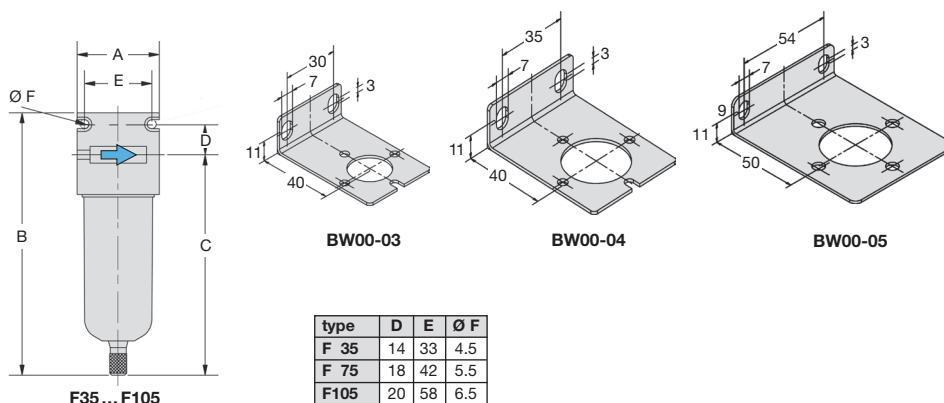
Special options, add the appropriate letter

5 µm filter element		F...-0...G
NPT connection thread		F...-0...N
semiautomatic drain	PKF35, piston drain, max. 12 bar	F 35-0...S for F35
automatic drain	SA605MD, max. 12 bar	F...-0...M for F75
	SAF105MD, max. 12 bar	F105-0...R for F105



Accessories, enclosed

mounting bracket	made of steel, fixed at the side	for F35	BW00-03
		for F75	BW00-04
		for F105	BW00-05



*1 at 7 bar operating pressure and 0.33 bar pressure drop

Extensions: see chapter for FRL service units
Spare parts: see separate spare parts list

PDF CAD
www.aircom.net

Order example:
F35-01AH